

ADD

design Francesco Rota
2014



ADD

Versatility and flexibility. Both for a lounge area in a restaurant or a waiting room, ADD is the perfect synthesis of an innovative way of perceiving an indoor modular system equipped with small tables at different heights. In a mosaic of numberless combinations, the square backrest can be declined in many positions: a construction game that can offer face-to-face compositions, « S » shaped ones or adapted to the existing architectural space. The unit – cm. 59 or cm.45 deep – upholstered with foam and fabric is available in a variety of bright and refined colours.



ADD



ADD



ADD



ADD

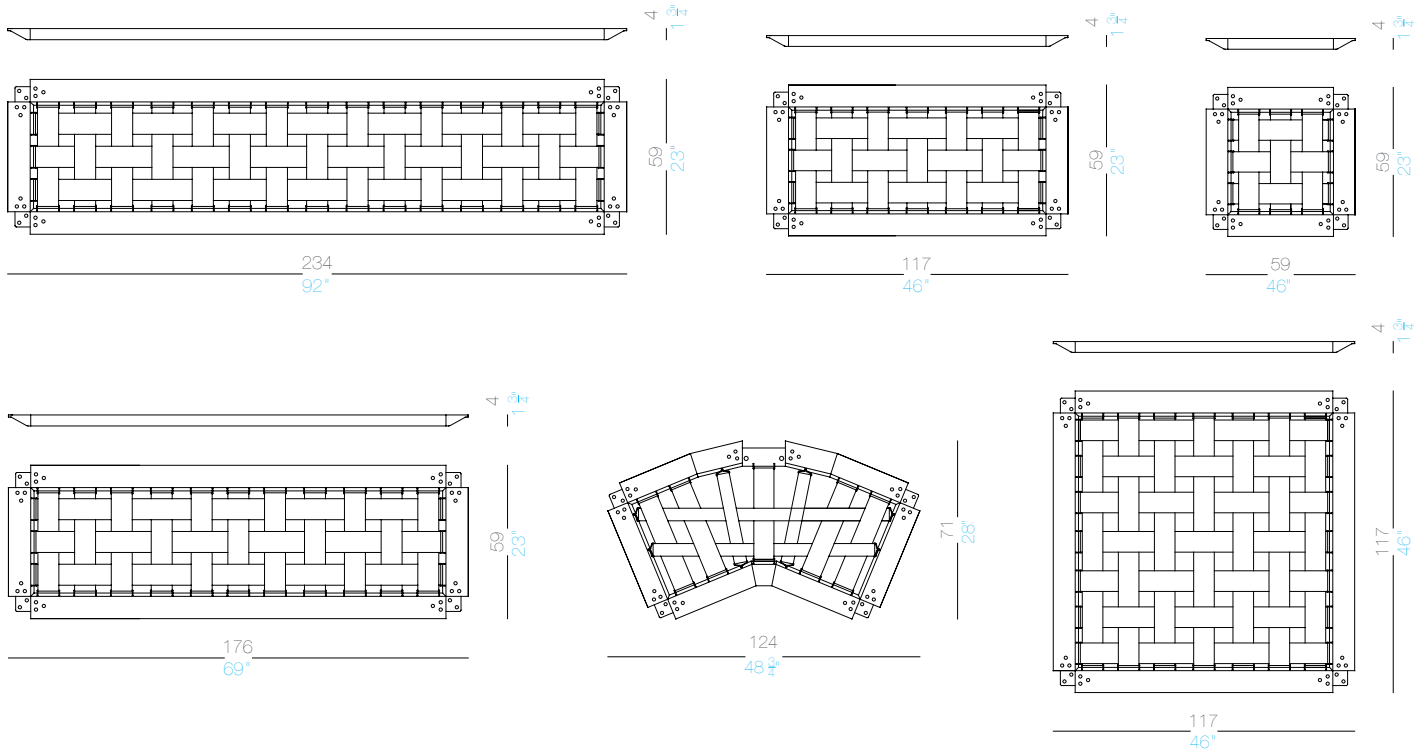


ADD

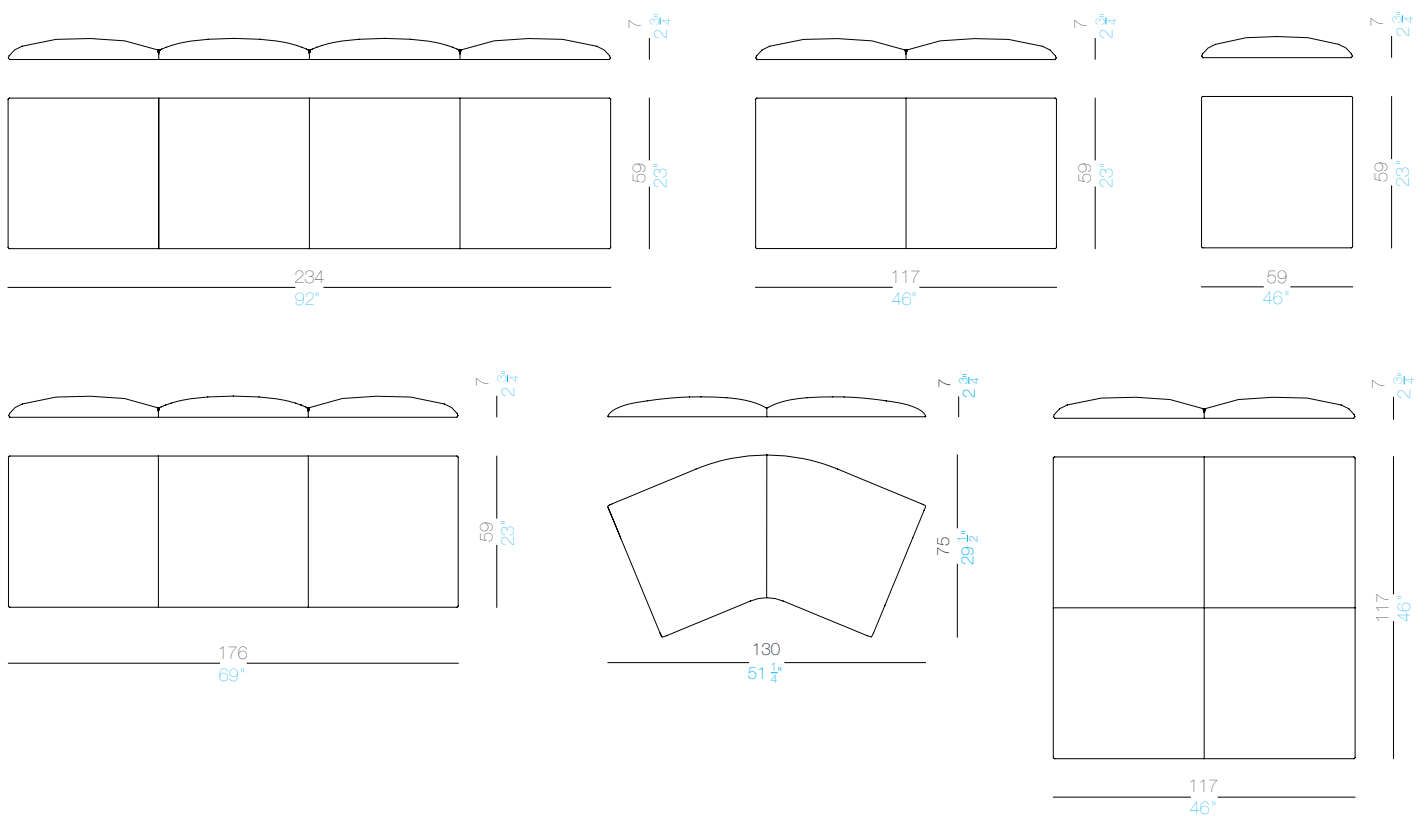
design Francesco Rota
2014

System of modular seating and backs with removable upholstery, available in fabric, leather or eco-leather. Frame in aluminium powder coated, with elastic belts. Several accessories in HPL Fenix® enrich the system.

seat frames



cushions



ADD

design Francesco Rota
2014

back supports

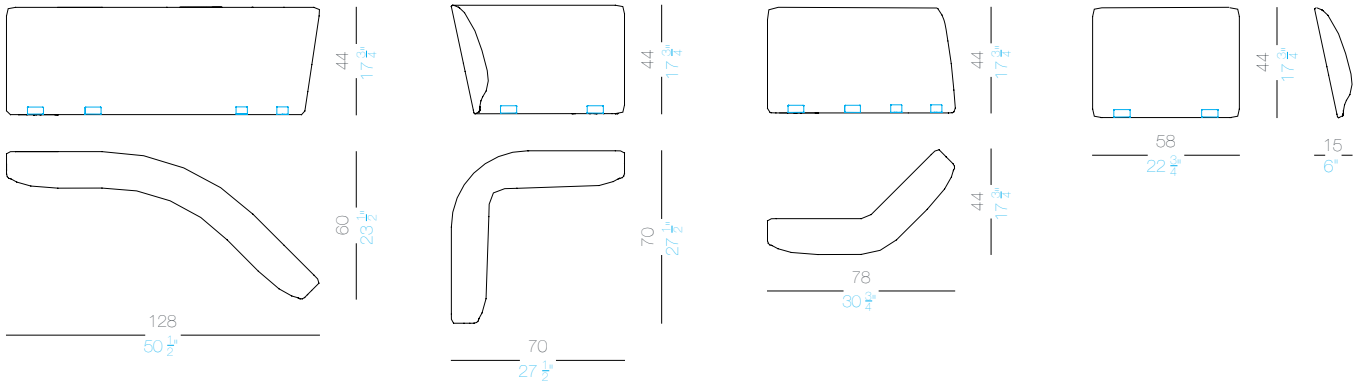
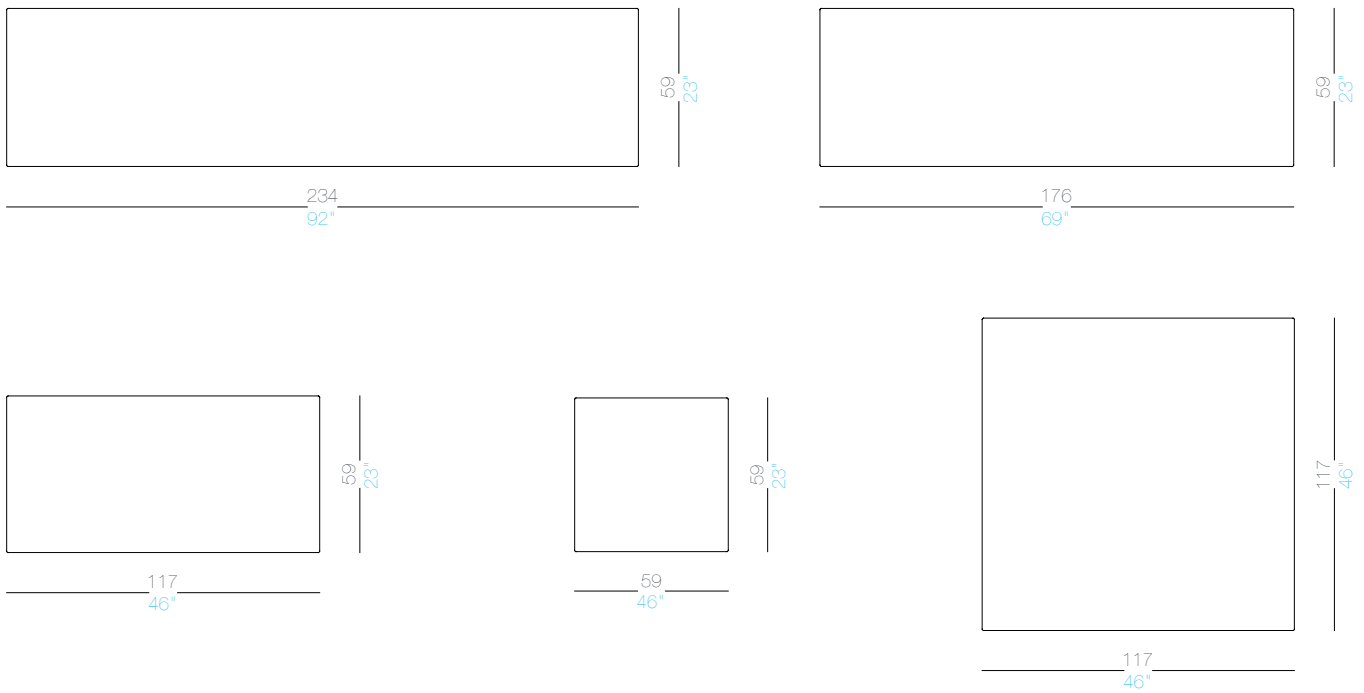


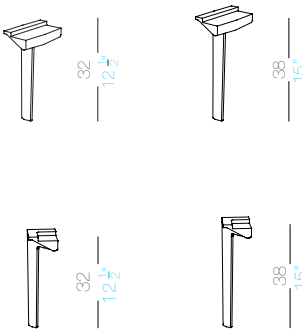
table tops



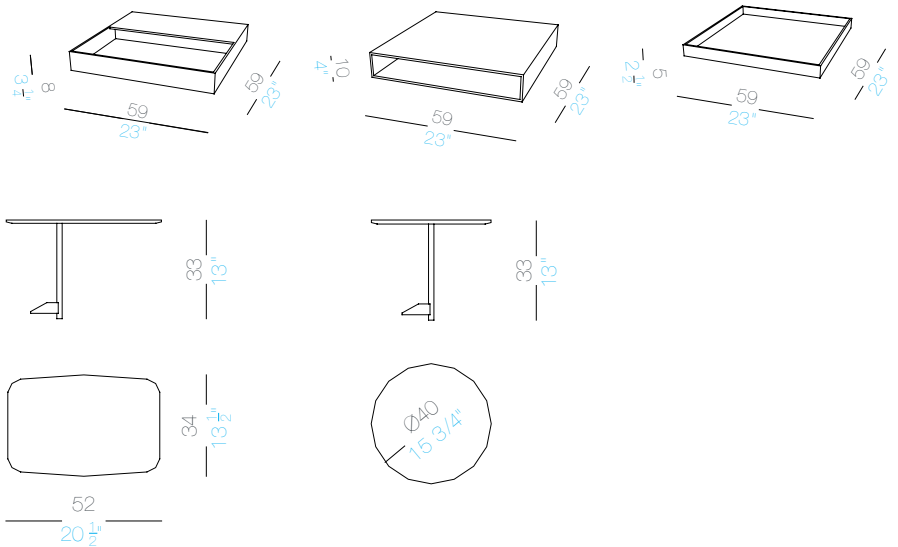
ADD

design Francesco Rota
2014

legs



accessories



frame

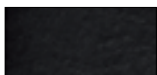


powder coated:
black

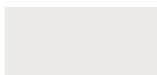


powder coated:
white

top



HPL Fenix®
black



HPL Fenix®
white

upholstery



fabric:
Hallingdal 65
18 colors



fabric:
Remix 2
12 colors



fabric:
Steelcut
10 colors



fabric:
Divina
9 colors



fabric:
Cava
14 colors



fabric:
Esedra
6 colors



fabric:
Jet
59 colors



fabric:
Maya
43 colors



fabric:
Style
28 colors



soft leather
7 colors



eco leather

consult the portfolio for the range of colors, fabrics, soft-leather, eco-leather.

use and maintenance instructions

Clean all parts in wood, leather, fabric and metal with a damp cloth or a diluted neutral cleaner. Do not use cleaners with alcohol, bleach, solvent or abrasive products. Any liquid spill on the product must be wiped up immediately. When lifting or moving the product, hold it on the structure and not under the seat. The product should not be subjected to unbalanced weights, as it is designed for a proper rest on the foothold (on four legs or on the base). Our company relieves from any responsibility in case of damage caused to fragile floors. Avoid any improper use of the product: do not step on the product, on the footrest or on the armrests. Avoid any movements that could compromise the proper functionality of the product or the safety of the users. Wood and leather, being natural materials, could be easily damaged. Small impurities or imperfections are within quality standard range. Do not expose the product to weather conditions or atmospheric agents, nor to heat sources over 45°C. Also products for outdoor use could be afflicted by atmospheric agents. The product could undergo possible exterior changes due to particular exposure to heat, humidity and saltiness. An appropriate and frequent maintenance and cleaning of the product enhances its durability. The product could change colour and shade, if exposed to direct sunlight. Maintenance has to be carried out by experienced staff. Dispose of the package only after assembling the product, in order to avoid the loss of ironmongery and components. Once the product has been dismantled, the product itself or its components must be given to the public garbage disposal system, according to the legislation in force.