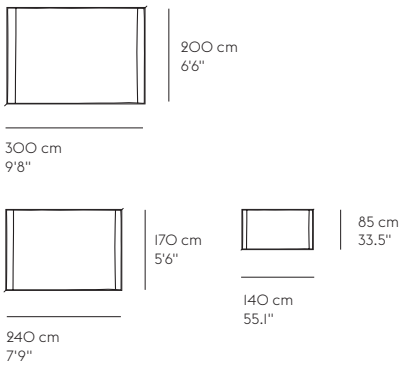




PLY RUG

MARGRETHE ODGAARD ON THE DESIGN "Ply is a simple and elegant rug showcasing the craft of traditional hand weaving. A unique broken twill structure enhances the vibrant and almost three-dimensional zigzag pattern, creating a perfect balance of the calm and the conspicuous. Made from high quality New Zealand wool and with intriguing tassels as a finishing detail, Ply is a new take on the classic weft faced rug, transporting the roots of our Scandinavian culture into the future."



DESIGNED BY / YEAR OF DESIGN
Margrethe Odgaard / 2016

ABOUT THE DESIGNER
Educated from The Royal Danish Academy of Fine Arts, School of Design in 2005 with additional studies at Rhode Island School of Design in the US, Margrethe Odgaard's focus as a textile designer is on colors, patterns, and tactility. What drives her work is a constant search for fresh ways of exploiting color and pattern in the material.

CATEGORY
Rug

ENVIRONMENT
Indoor

COUNTRY OF PRODUCTION
India

DESCRIPTION
The Ply Rug series comes in 3 different sizes and in 7 color tones. Each rug is finished with a weaved tail that gives character to the rug and tells the story of old rug weaving traditions.

PRODUCTION PROCESS
Wool is dye colored and rugs are woven by hand.

MATERIAL
100% New Zealand wool

SPARE PARTS
Rug pads to place under the Ply Rugs are purchased separately. This prevents the rugs from gliding and protects the rug.

CLEANING AND CARE
For regular cleaning, vacuum the rugs. Clean stains instantly with sparkling water. The rugs should be turned every 6 months for maintenance purposes.

TESTS & CERTIFICATIONS
US Flammability I6 CFR part I630 / I631